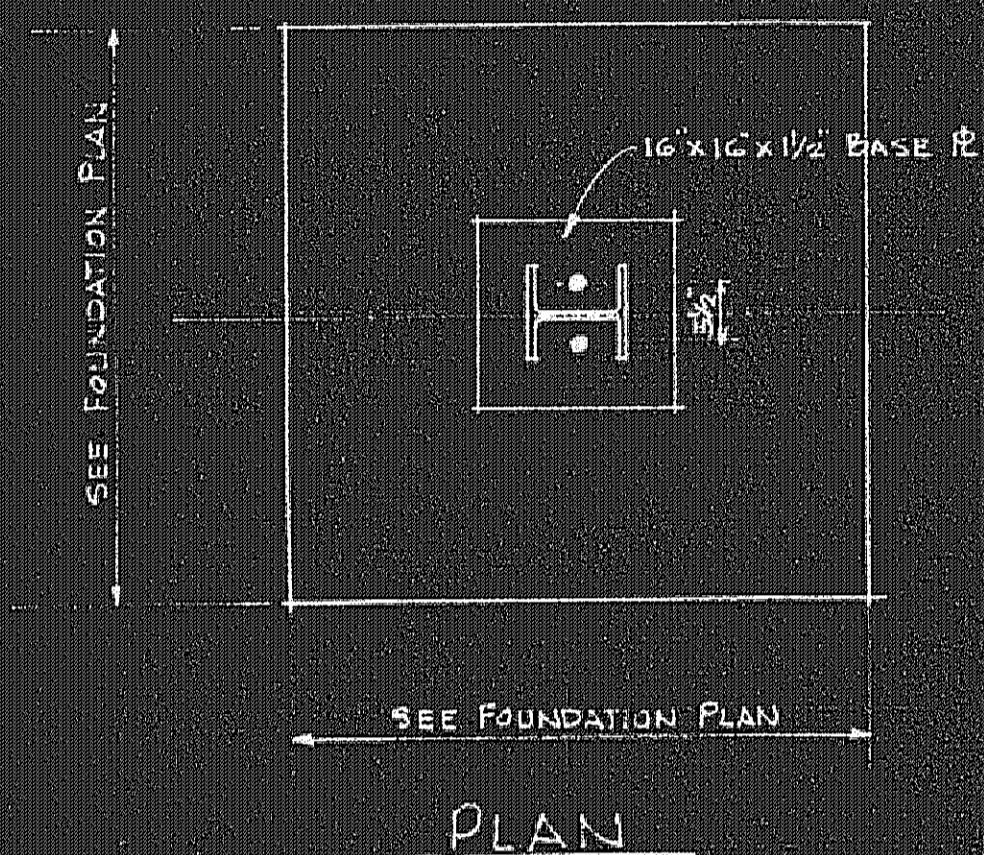
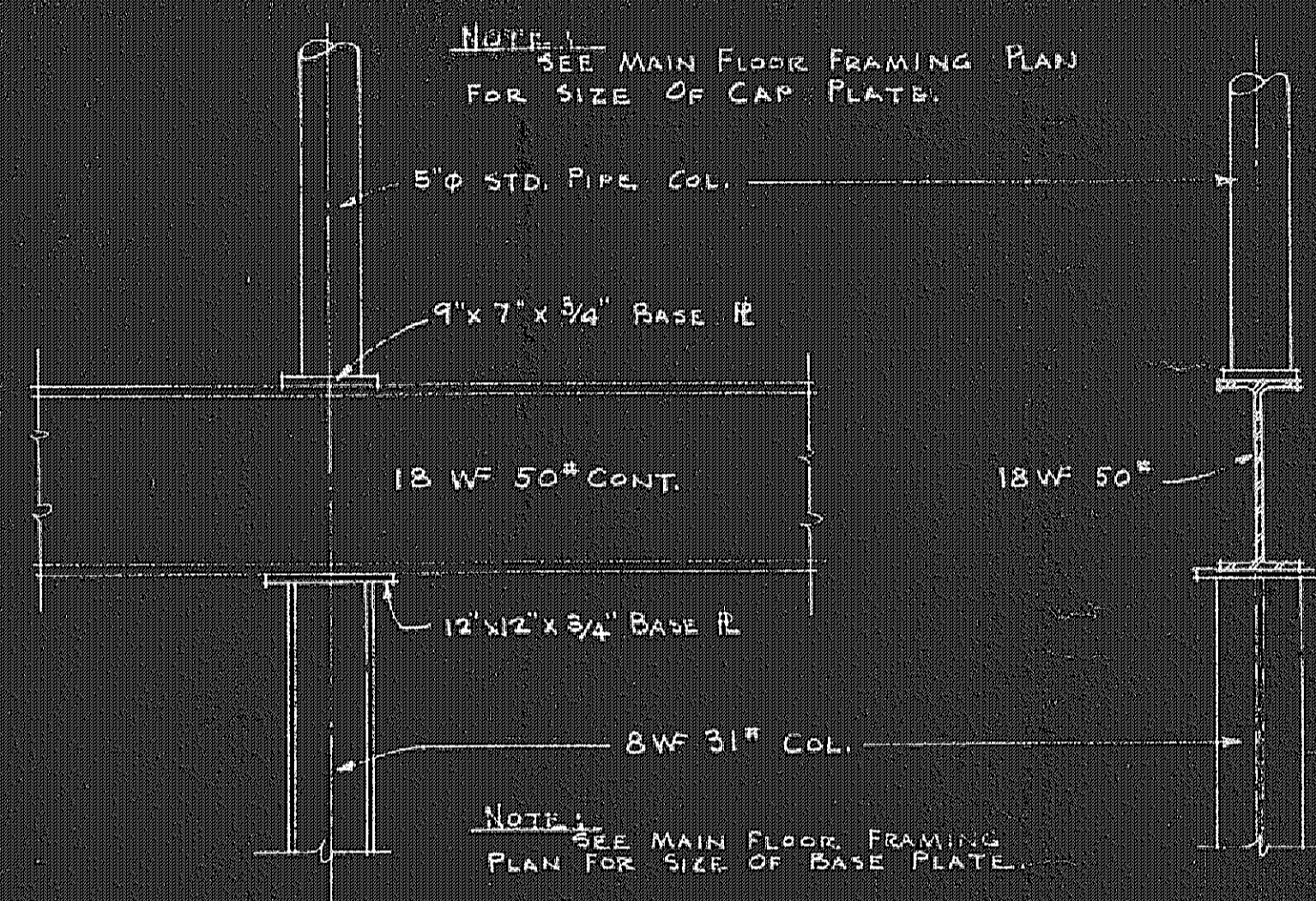


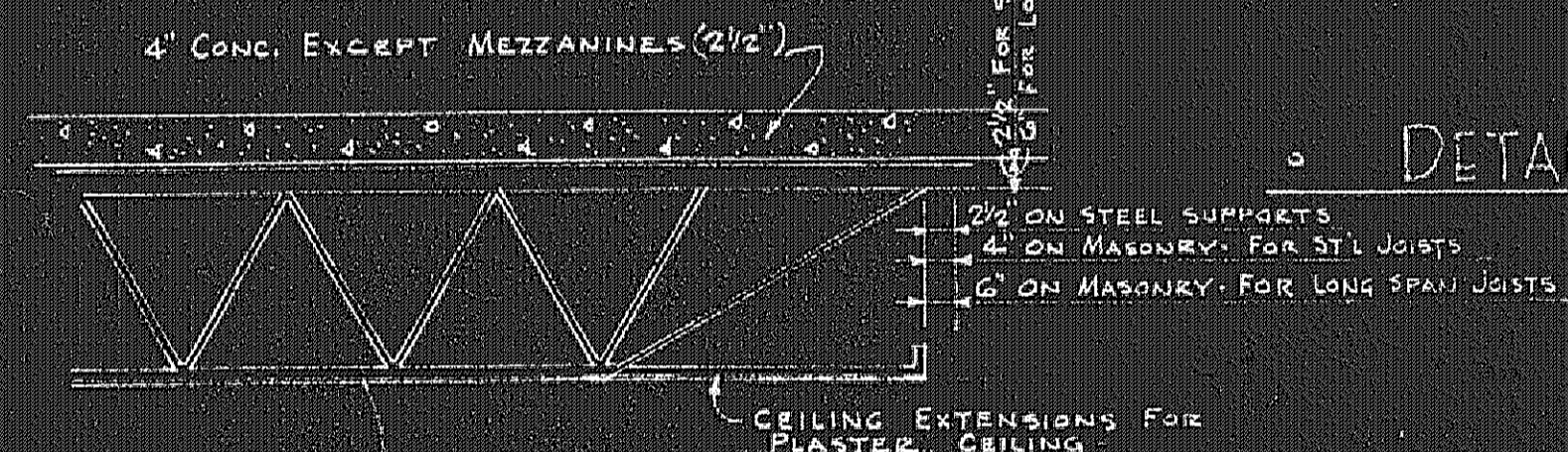
TYPICAL WALL FOOTING  
SCALE 3/4" = 1'-0"



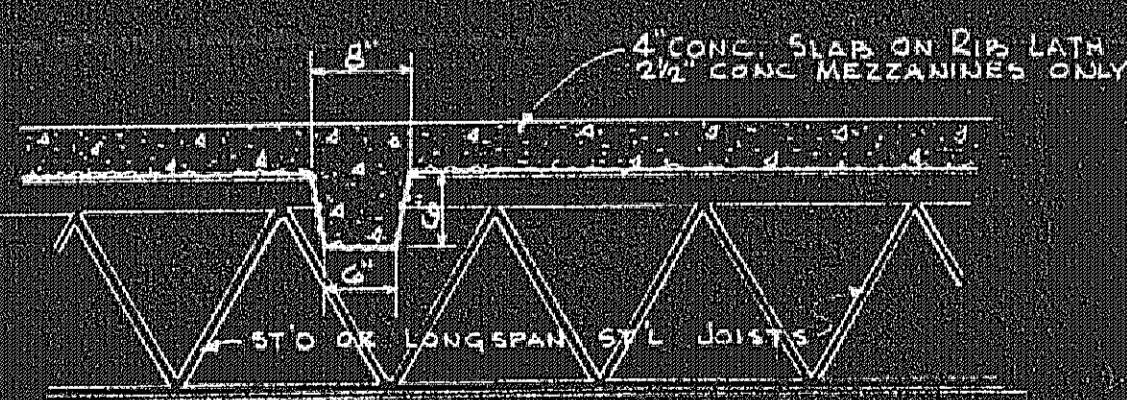
TYPICAL COLUMN FOOTING  
SCALE 3/4" = 1'-0"



DETAIL OF COLUMNS & BEAMS NORTH SIDE OF LOBBY  
SCALE 3/4" = 1'-0"

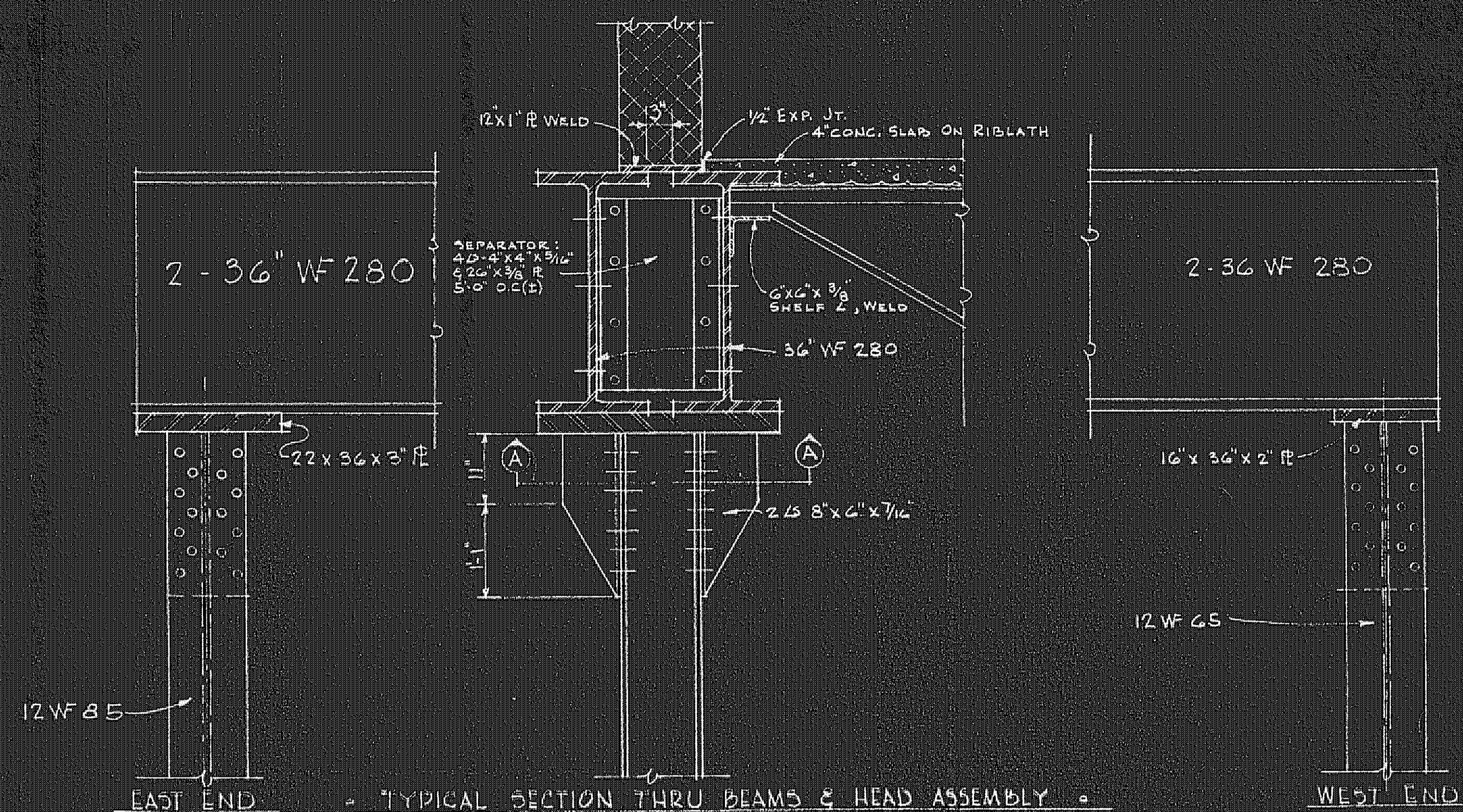


TYPICAL STEEL JOIST SUPPORTS  
SCALE 3/4" = 1'-0"

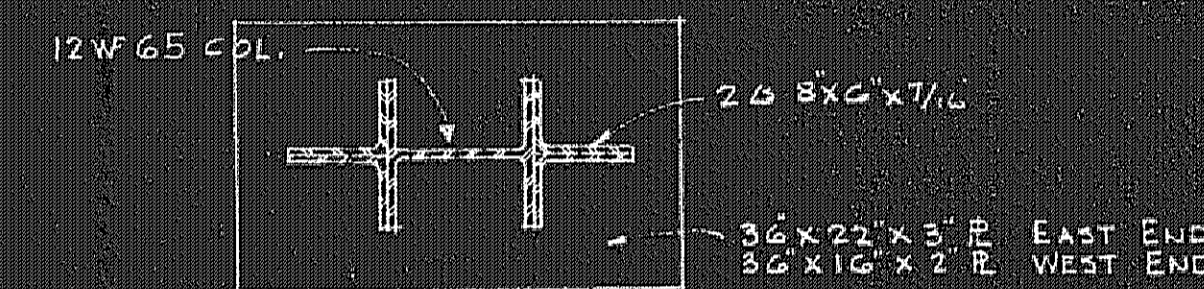


NOTE: PROVIDE CONC. BRIDGING THROUGHOUT EXCEPT FOR ROOF JOISTS WHERE 2" x 1 1/2" x 1/8" STRUT BRIDGING SHALL BE USED.

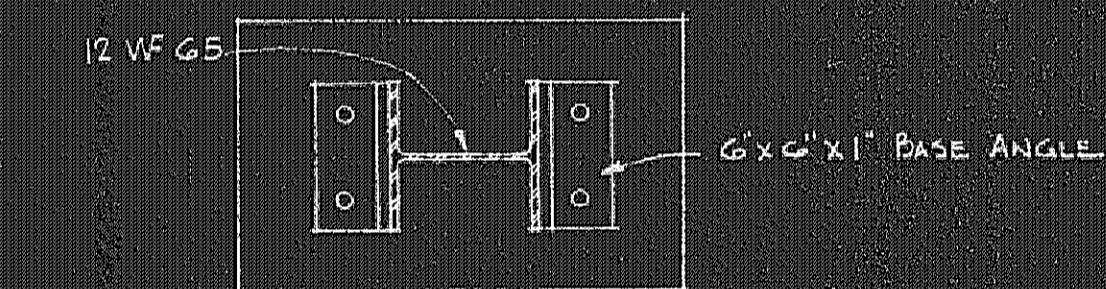
TYPICAL JOIST BRIDGING  
SCALE 3/4" = 1'-0"



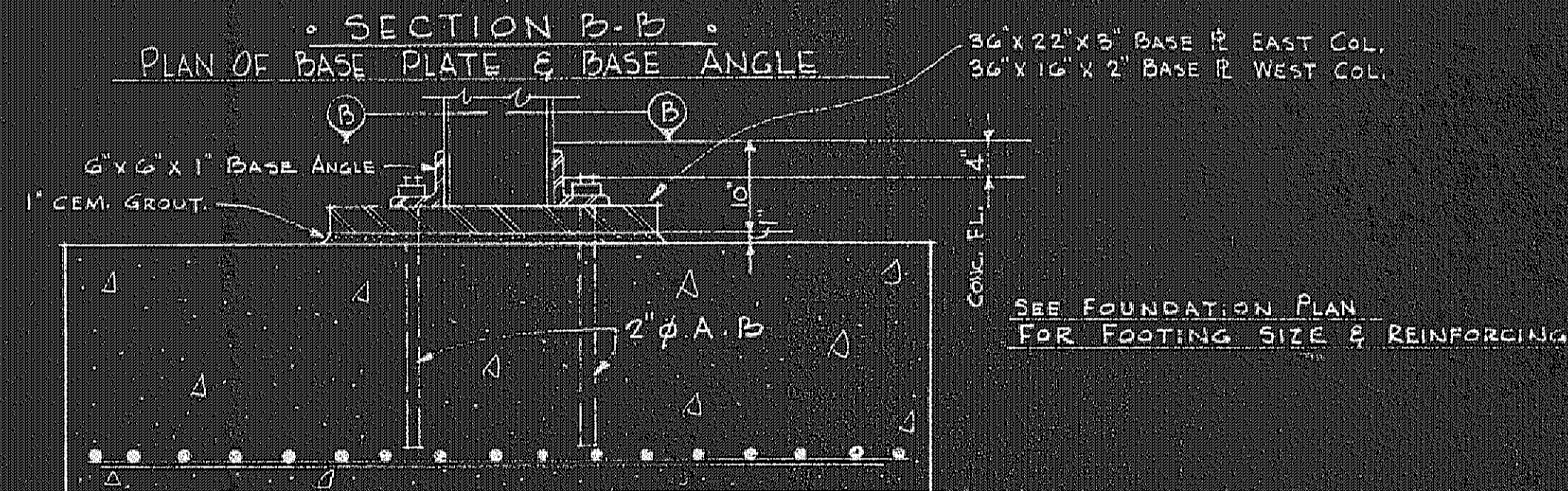
TYPICAL SECTION THRU BEAMS & HEAD ASSEMBLY



SECTION A-A  
PLAN OF HEAD ASSEMBLY



SECTION B-B  
PLAN OF BASE PLATE & BASE ANGLE



SECTION THRU FOOTING & COLUMN BASE  
DETAILS OF DOUBLE 36" BEAM AND SUPPORTING COLUMNS  
SCALE 3/4" = 1'-0"

GENERAL NOTES

DESIGN LOADS:	ROOF L.L.	30#/S.F.
	MAIN FLOOR	125#/S.F.
	MEZZANINE	80#/S.F.
STRESSES:	CONCRETE	3,000#/IN <sup>2</sup> - 28 DAYS
	RE-STEEL	20,000#/IN <sup>2</sup>
	STRUCT. STEEL	20,000#/IN <sup>2</sup>
	SOIL BEARING	4,000#/S.F.

LOOSE LINTEL SCHEDULE

OPENINGS	UP TO 4'-0"	3 1/2" x 3" x 1/4" L	L.L.H.
OPENINGS	UP TO 5'-0"	4" x 3 1/2" x 1/4" L	L.L.V.
OPENINGS	UP TO 7'-0"	5" x 3 1/2" x 3/16" L	L.L.V.
OPENINGS	UP TO 10'-0"	6" x 4" x 3/8" L	L.L.V.

ONE ANGLE REQUIRED FOR EVERY 4" OF WALL THICKNESS. FOR EXTERIOR LINTELS 3/16" MINIMUM THICKNESS OF ANGLES REQUIRED

